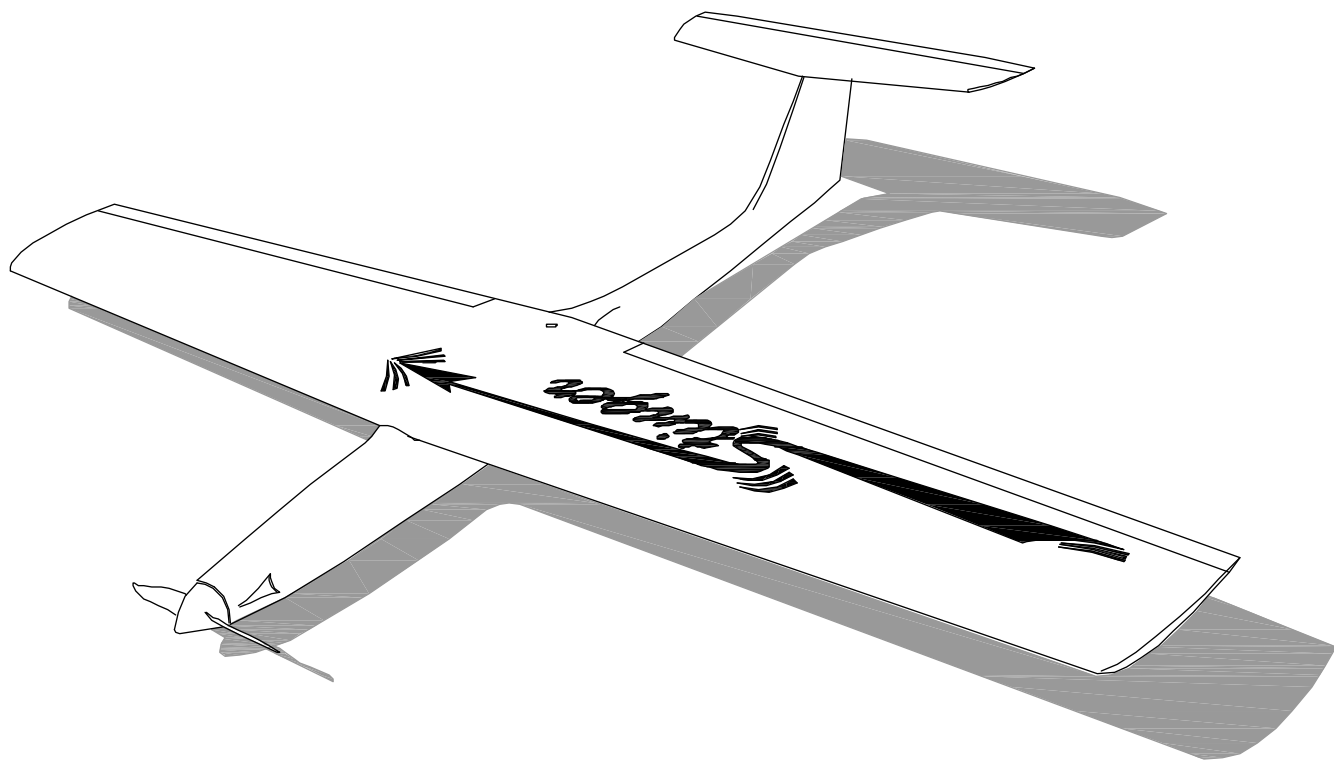


SPEED AIRPLANE

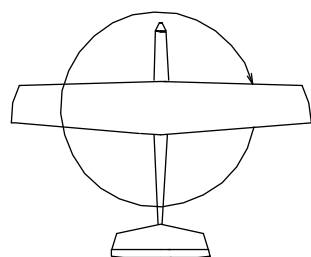
Stinger




Order N°: 02041

 760 mm

 950 mm

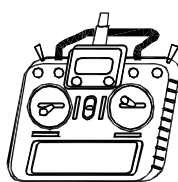
 13,5 dm²
37-44,4g/dm²

 0,5 - 0,6 kg

 S 7012 mod.

Není-li uvedeno jinak, všechny
neoznačené míry jsou v milimetrech
UNLES STATED, ALL DIMENSIONS
ARE IN MILIMETERS

Radio system you'll need :



- ailerons - 2 servos
- elevator
- motor



Mega ACn 16/25/1,5S
Mega ACn 16/15/3



3S LiPo 2-2,3 AH

Manufactured by:

TOPMODEL CZ

679 05 HABRŮVKA 100 - CZECH REPUBLIC

www.topmodelcz.com

e-mail: info@topmodelcz.cz

| Part # | Part name | Material/dimensions | Loose | In bag | |
|--------|-----------------------|--------------------------|-------|--------|--------------------------|
| | building instruction | | 01 | | |
| 1 | fuselage | fibreglass | 1 | | 02040-1C |
| 1-1 | motor mount | fibreglass plate 2mm | | 01 | 2040.1NEW-1C |
| 1-21 | elevator servo mount | polyurethan 11mm | | 02 | 05029 |
| 2 | wing | balsa assembly | 01 | | 02040-2ARF 02040-2ARC |
| 2-1 | aileron | balsa | 02 | | |
| 2-21 | wing pin | fibreglass ϕ 4x40mm | | 01 | 6BI21829 |
| 2-2 | wing screw | nylon M4x20mm | | 01 | 1310 |
| 2-3 | wing nut | Al M4 | | 01 | 1022 AL |
| 2-31 | nut mount | plywood 3x25x38mm | | 01 | 02041-2-31 |
| 2-4 | aileron servo mount | polyurethan 11mm | | 04 | 5029 |
| 2-41 | aileron servo cover | ABS plastic ϕ 58mm | | 02 | 05018-6 |
| 2-5 | aileron pushrod | steel M2x45mm | | 02 | zavit2025 |
| 2-6 | clevis | Plastic clevis, l=17 mm | | 04 | 2101 |
| 2-8 | aileron horn | fibreglass plate 1mm | | 02 | 05034 |
| 3 | horizontal stabilizer | balsa | 01 | | 02040-3ARF 02040-3ARC |
| 3-5 | elevator pushrod | steel ϕ 1,2x150mm | | 01 | 519.1,2 |
| 3-6 | pushrod connector | MPJ 2764 BR | | 01 | 2764 BR |
| 3-8 | elevator horn | fibreglass plate 1mm | | 01 | 5034 |
| 3-41 | elevator servo cover | sticker | | 01 | terc50 |
| 7 | stickers | | 02 | | 02040-7 |

RECOMMENDED EQUIPMENT

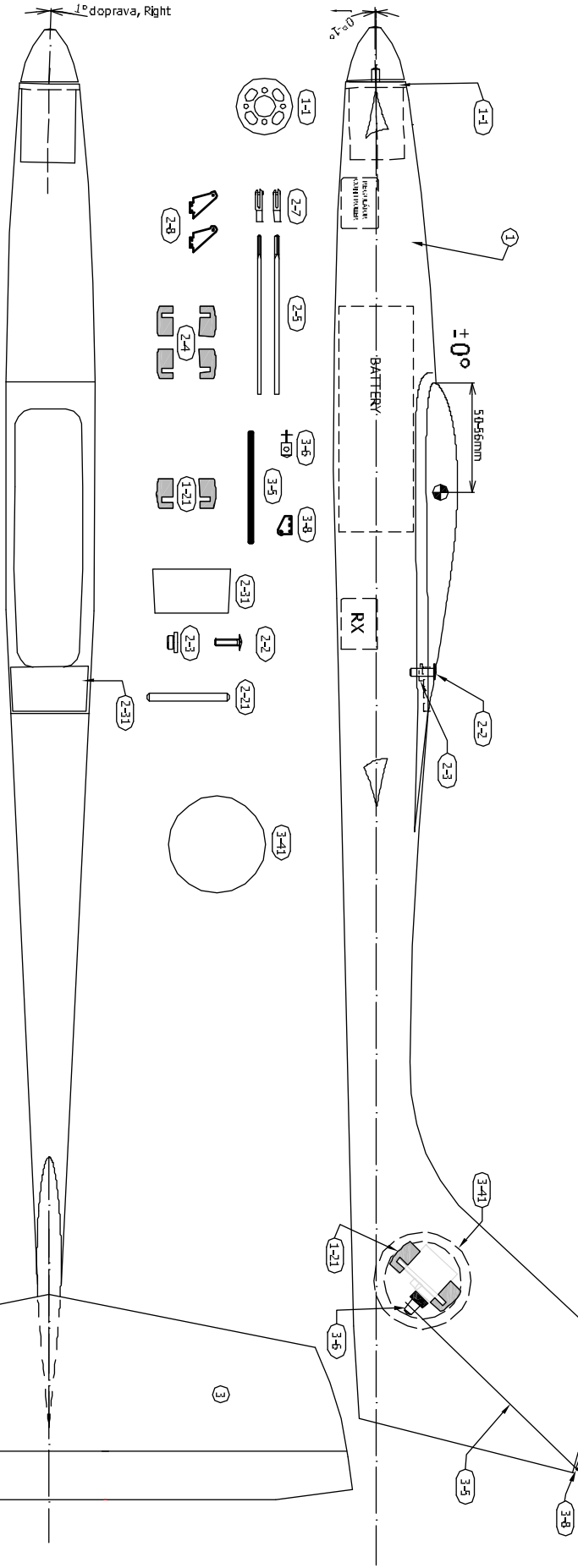
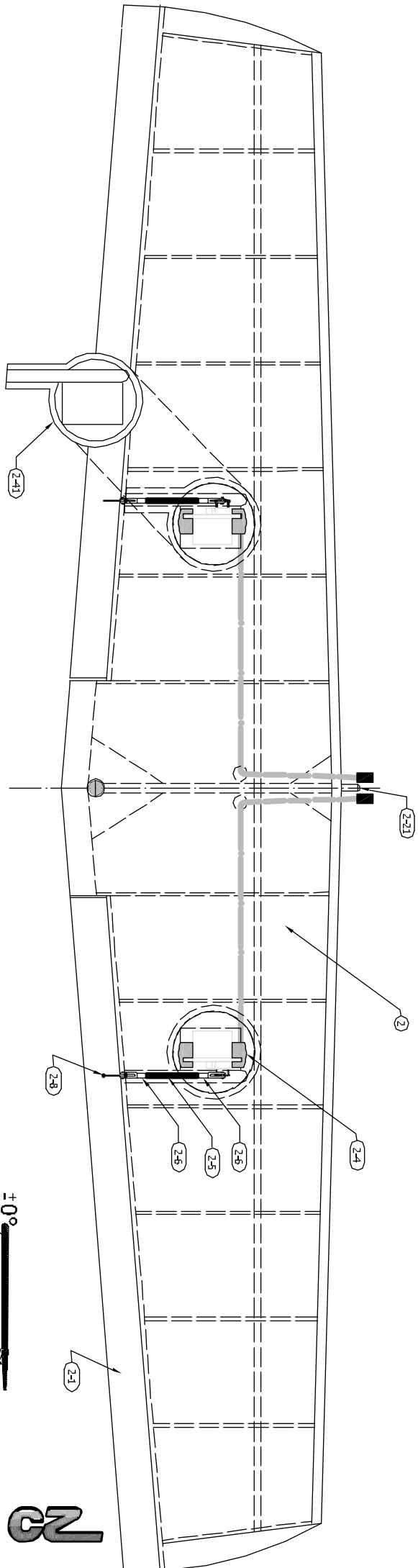
| | | Pieces | | Item No. www.topmodel.cz |
|-------------|------------------------------|--------|-------------------------|---|
| transmitter | 4 channel | | | |
| reciever | 5-7 channel | | | |
| servo | DYMOND D60/TOPMODEL 1816 | 3 | for ailerons & elevator | 020D1816 |
| motor | Mega ACn 16/25/1,5S* | 1 | | 201625015S* |
| controller | SPIN 55 PRO JETI | 1 | | 1RC23204 |
| spinner | Alu electro ϕ 30/3,2/M5 | 1 | | 7020 |
| propeller | CAM SPEED PROP 12x12 cm | 1 | | 1361.12.12 |
| battery | 3S ~2 - 2,3Ah | 1 | | |

ATTENTION!

This model construction kit is not a toy and is not suitable for children under the age of 14. Incorrect use of this model could cause material damage or personal injury. You are fully responsible for your actions when you use this model.

Fly at a safe distance from occupied zones. Before switching on the radio, be sure, that no one else is using the same frequency as you !

Before first take-off check up please the center of gravity, the sense and size of the control surface angle and if model aeroplane parts aren't crooked. The reparation is possible through the use of hot-air dryer.

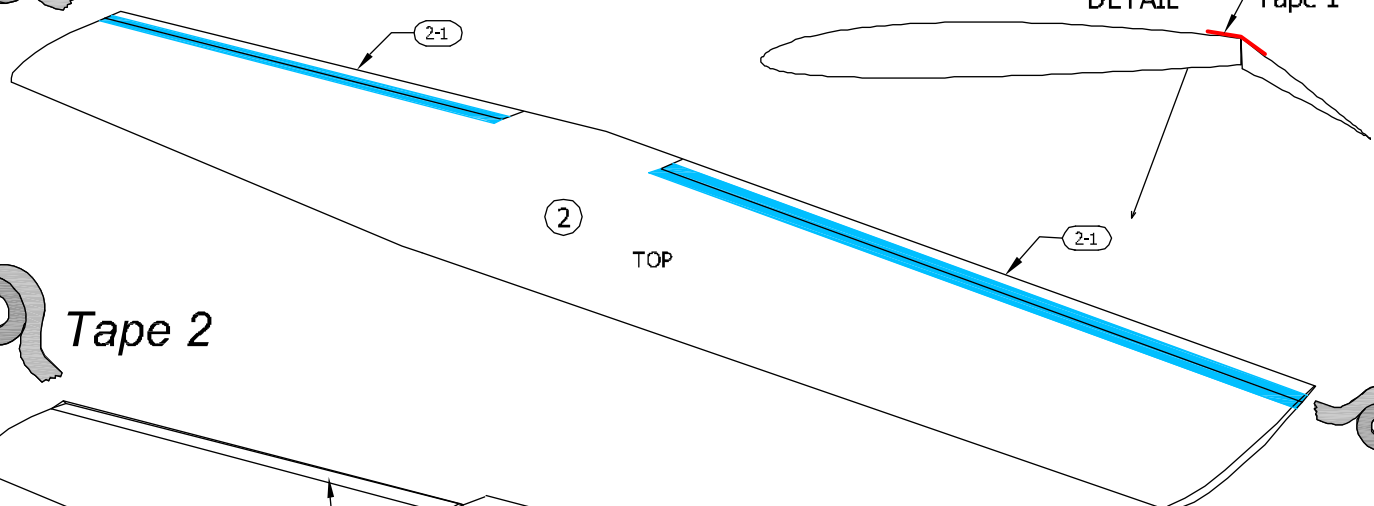


TOPMODEL CZ Manufactured by TOPMODEL CZ s.r.o. 679 05 HABRŮVKA 100 - Bateř made in the Czech Republic - www.topmodelcz.cz - e-mail: info@topmodelcz.cz

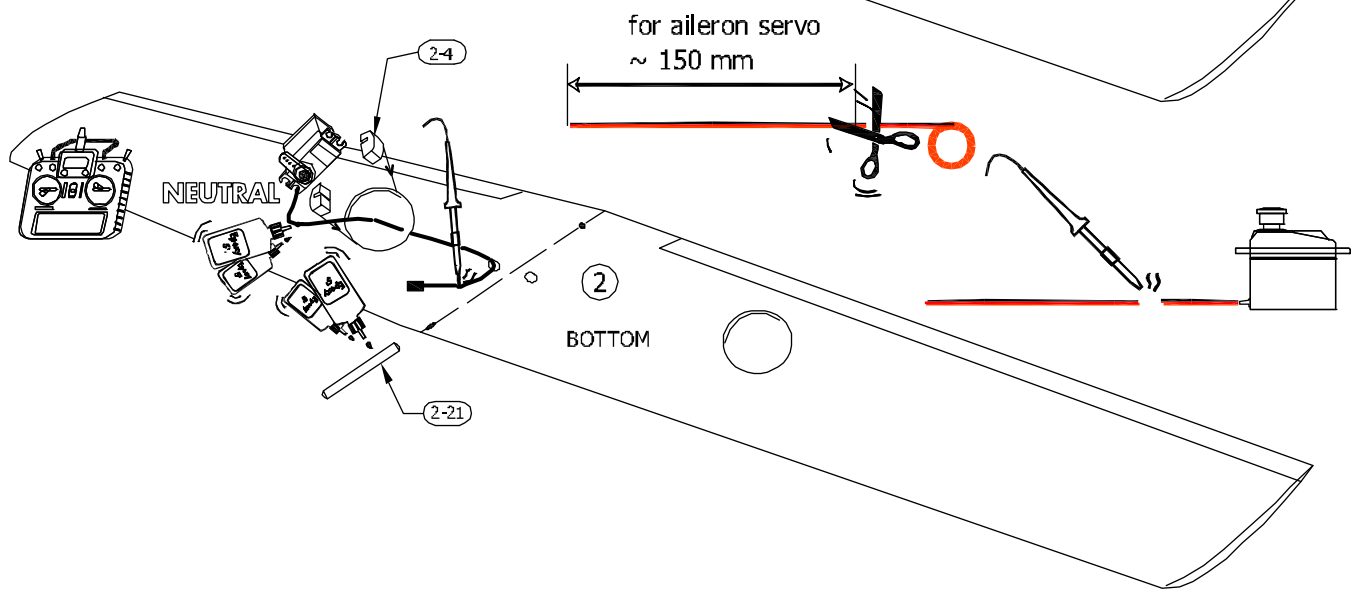
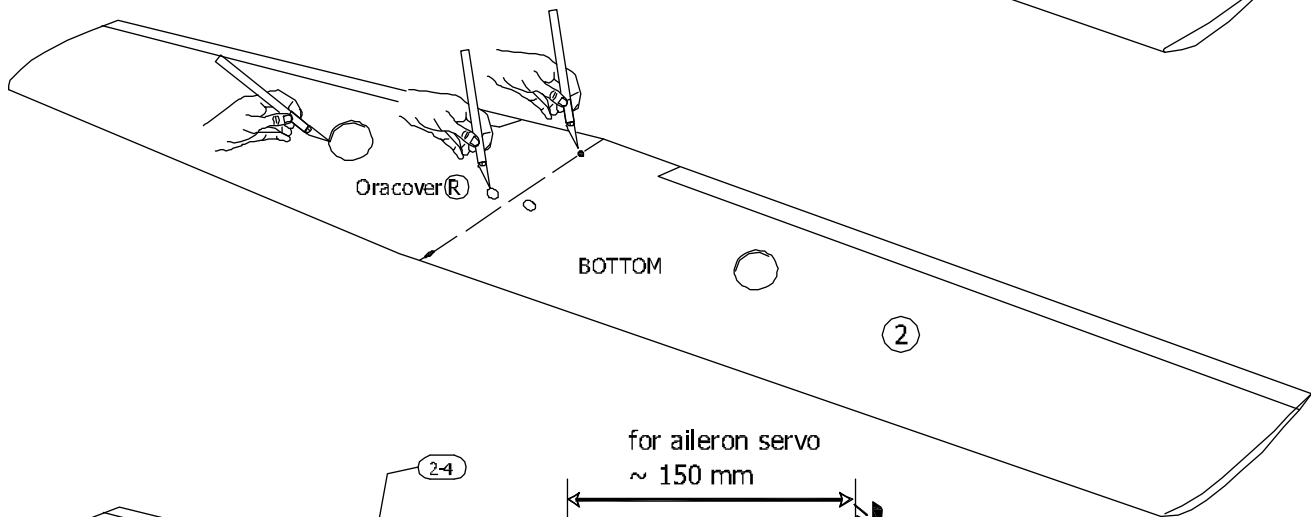
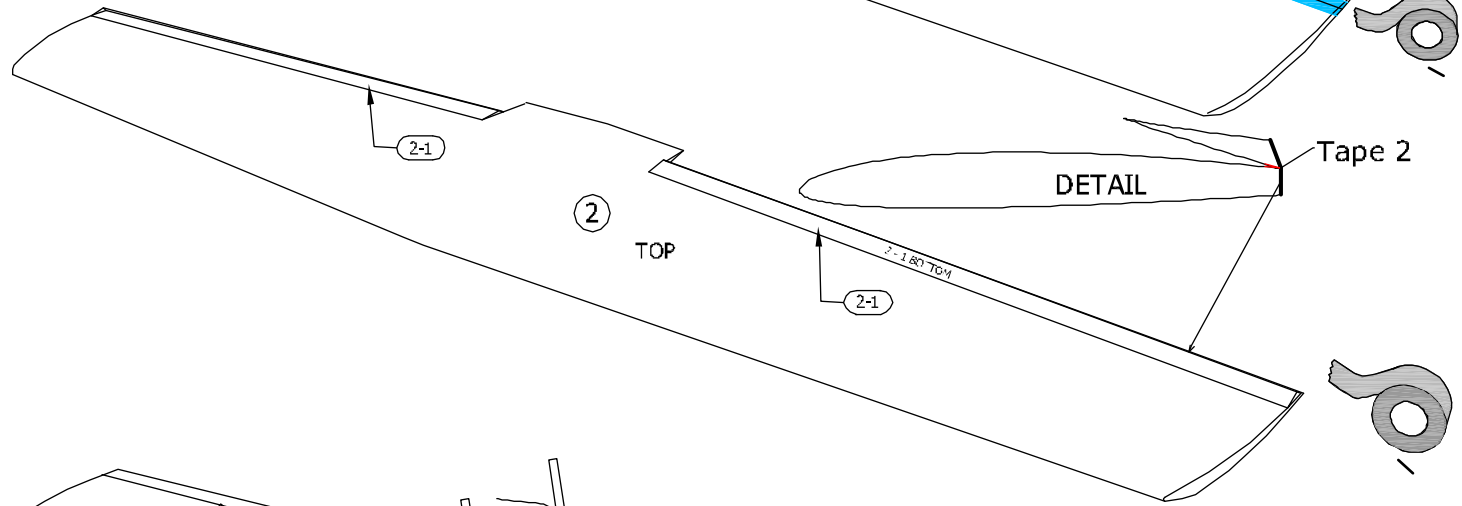
TOPMODEL CZ

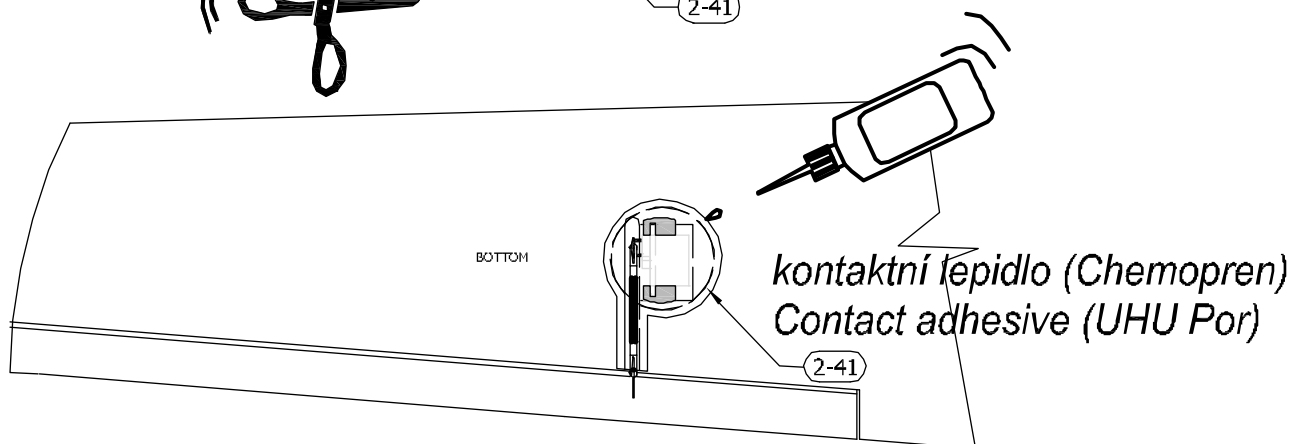
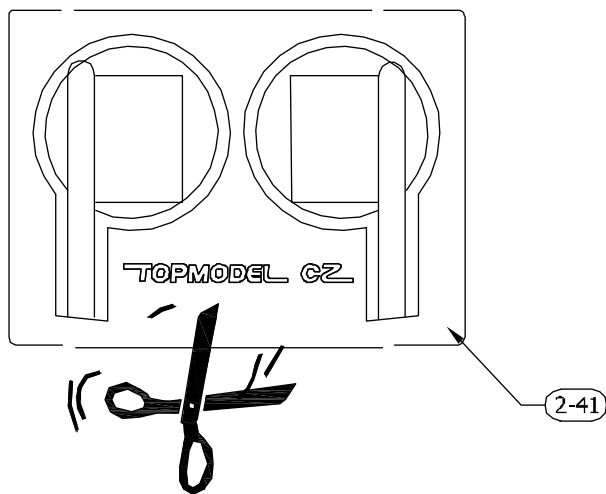
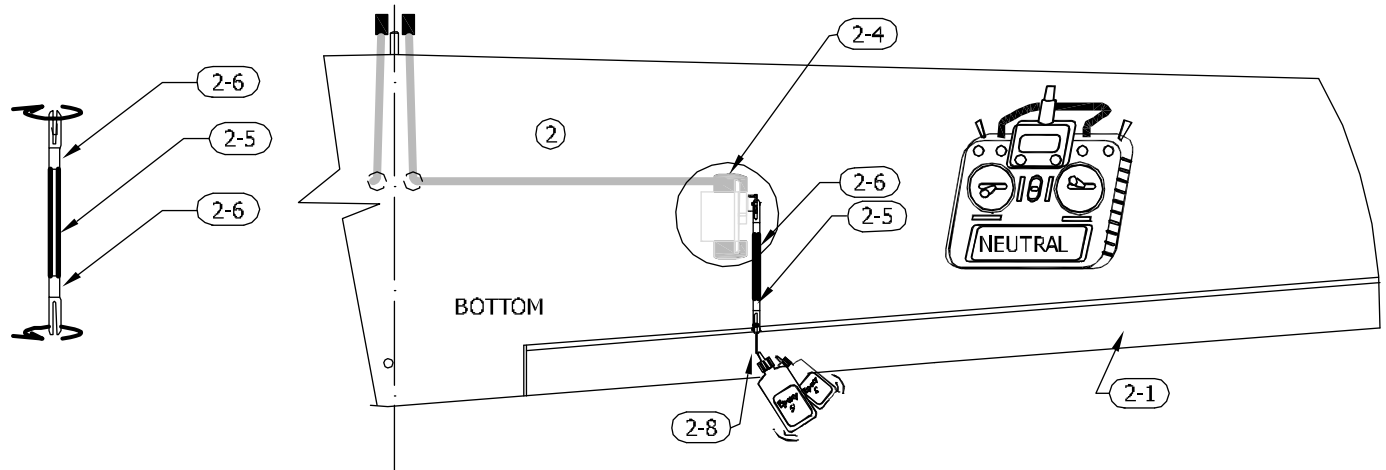
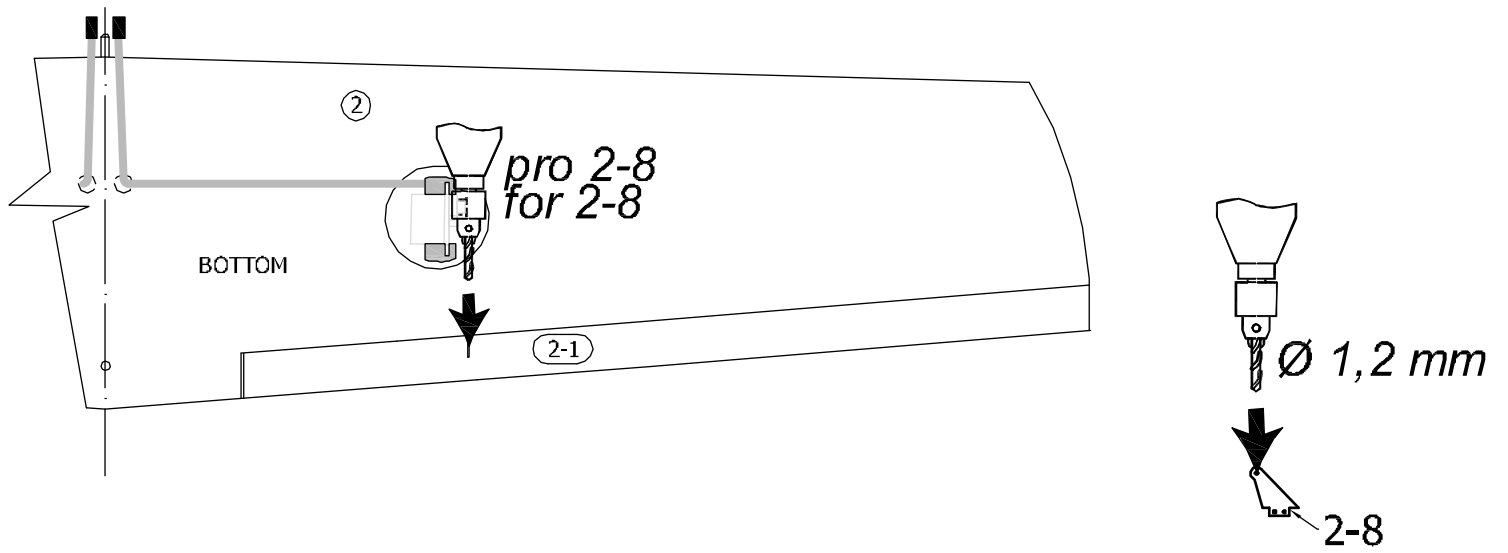
© TOPMODEL CZ Výkres není v měřítku - Not scale !!!

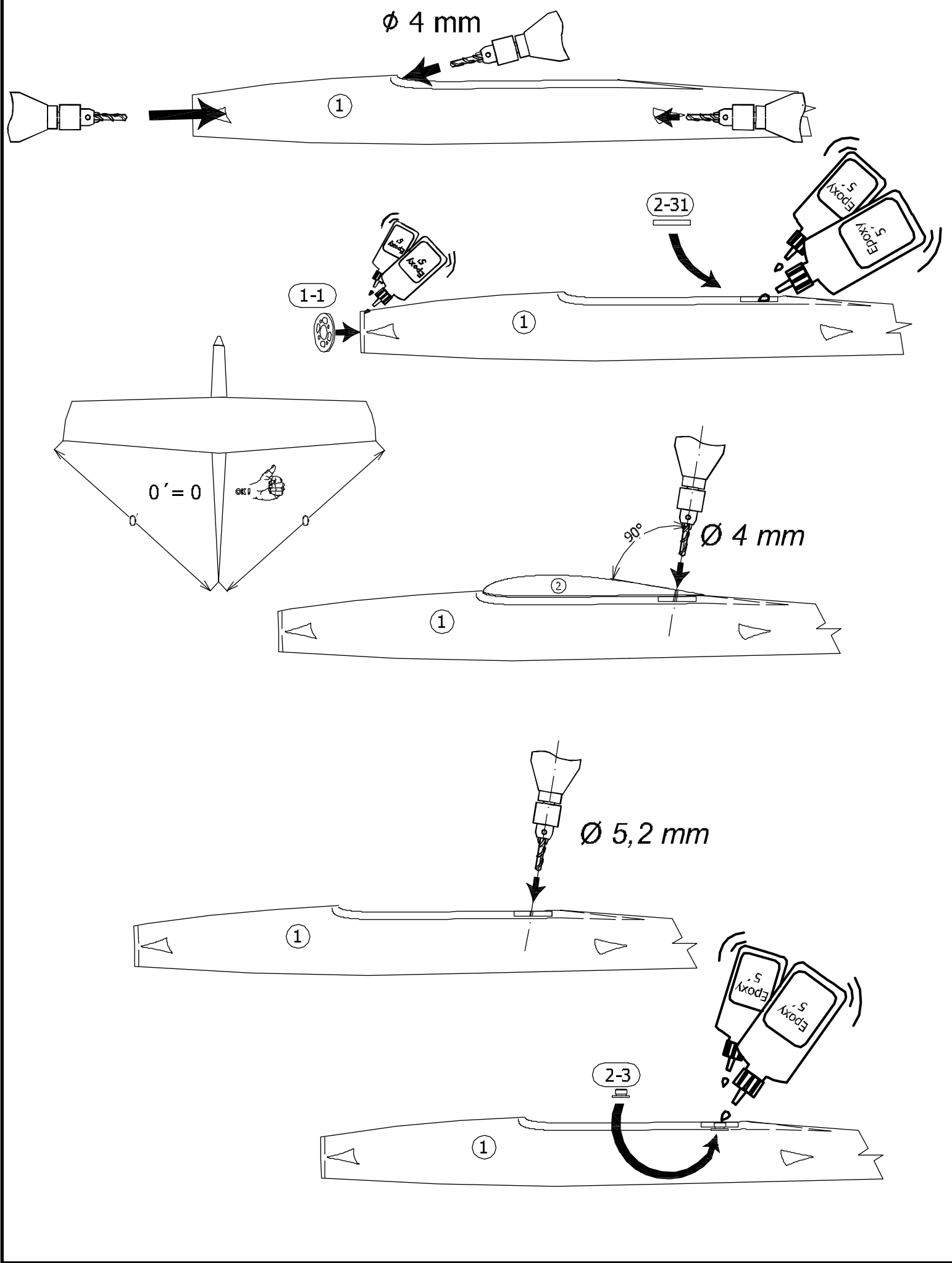
Tape 1

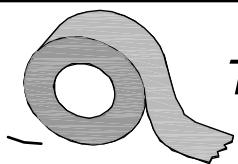


Tape 2

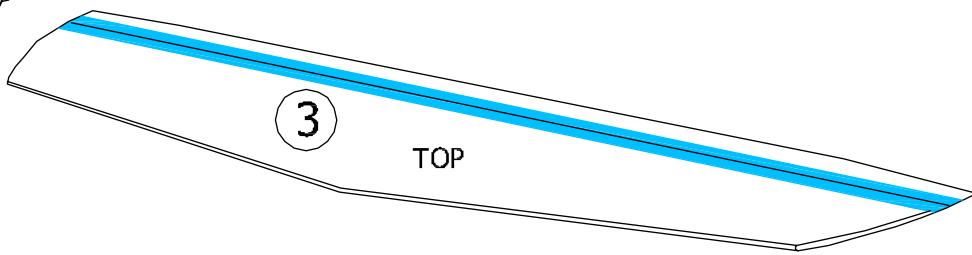






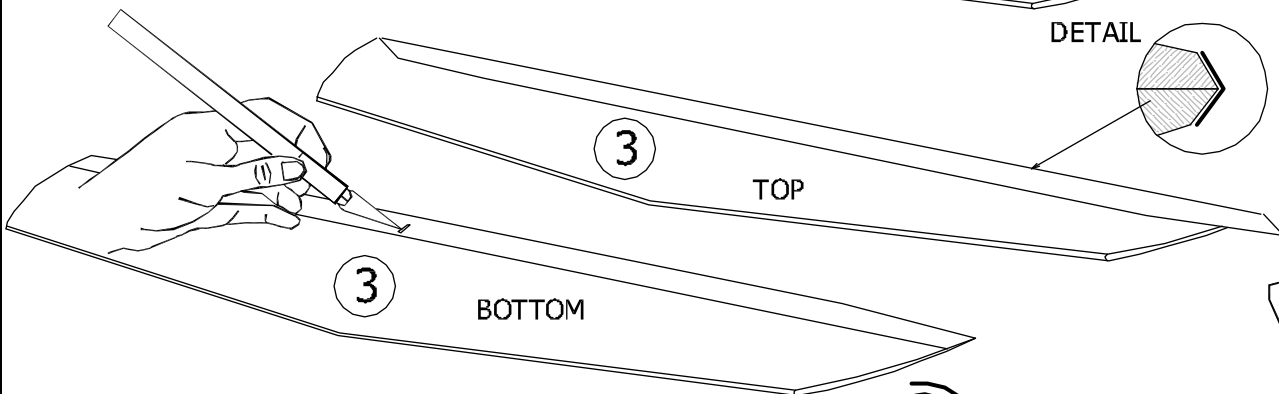
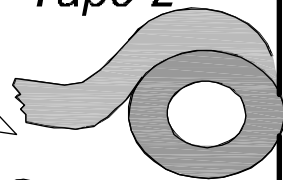


Tape 1

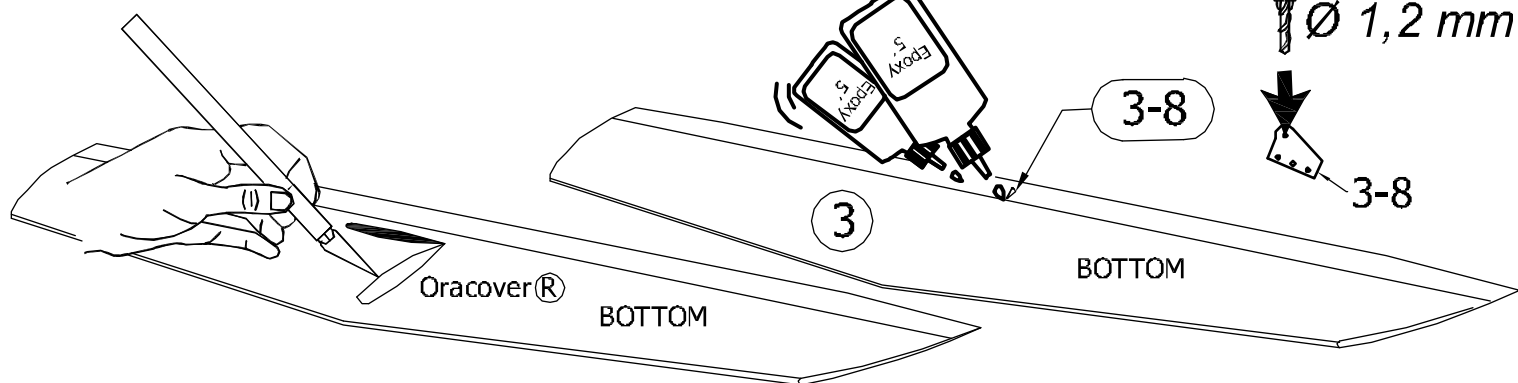
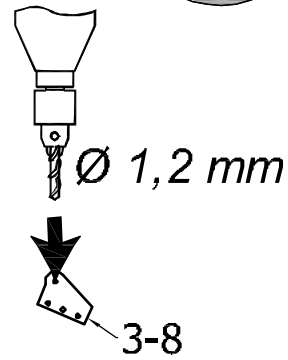


DETAIL

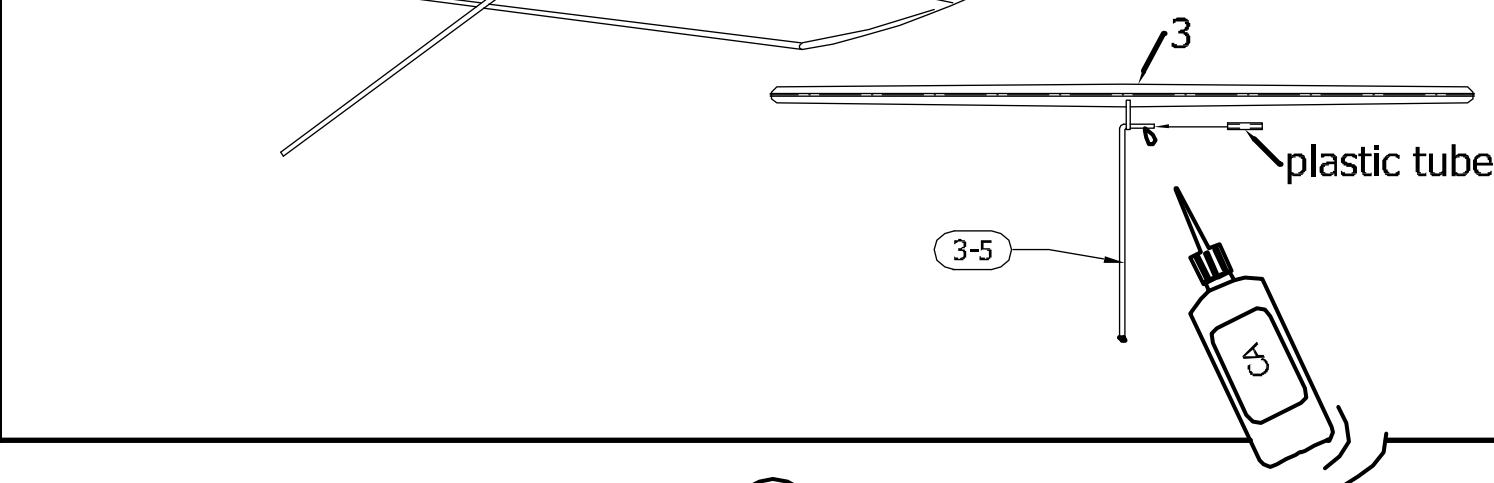
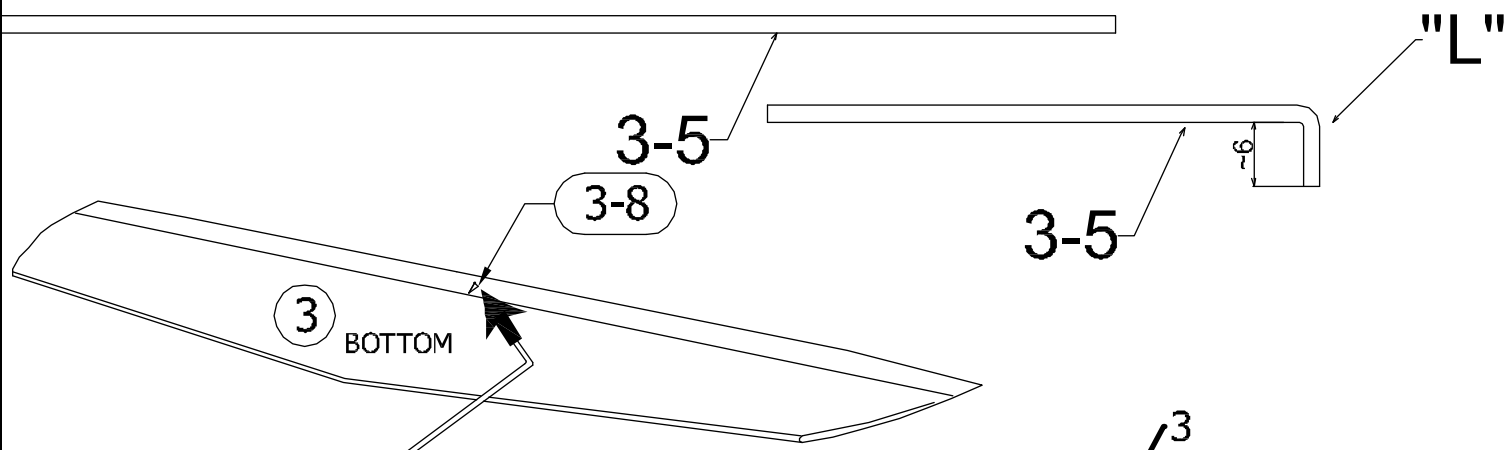
Tape 2



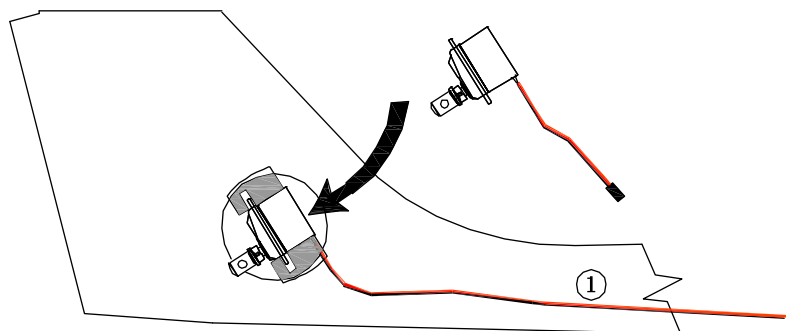
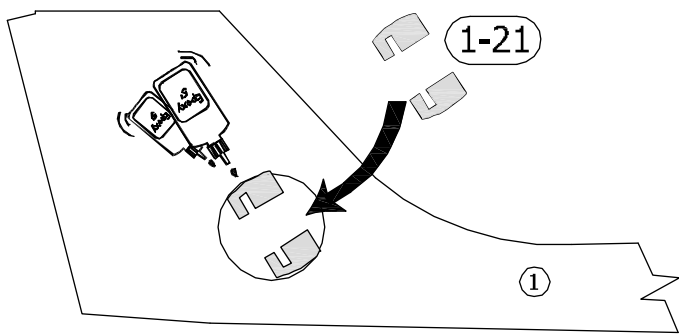
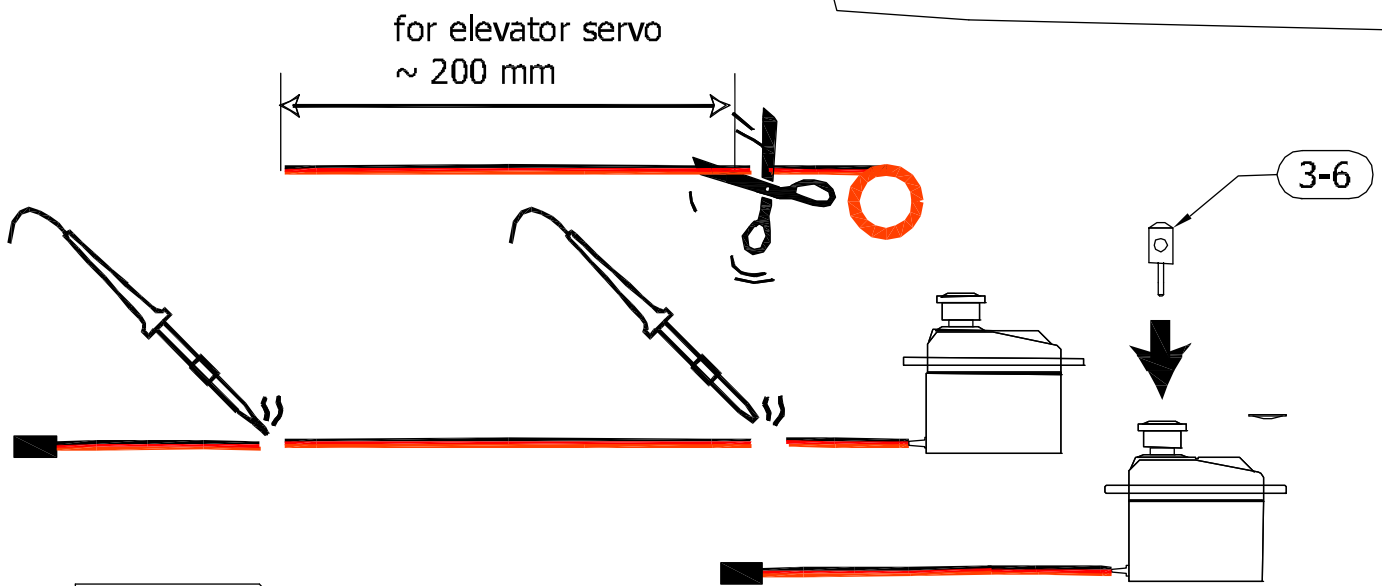
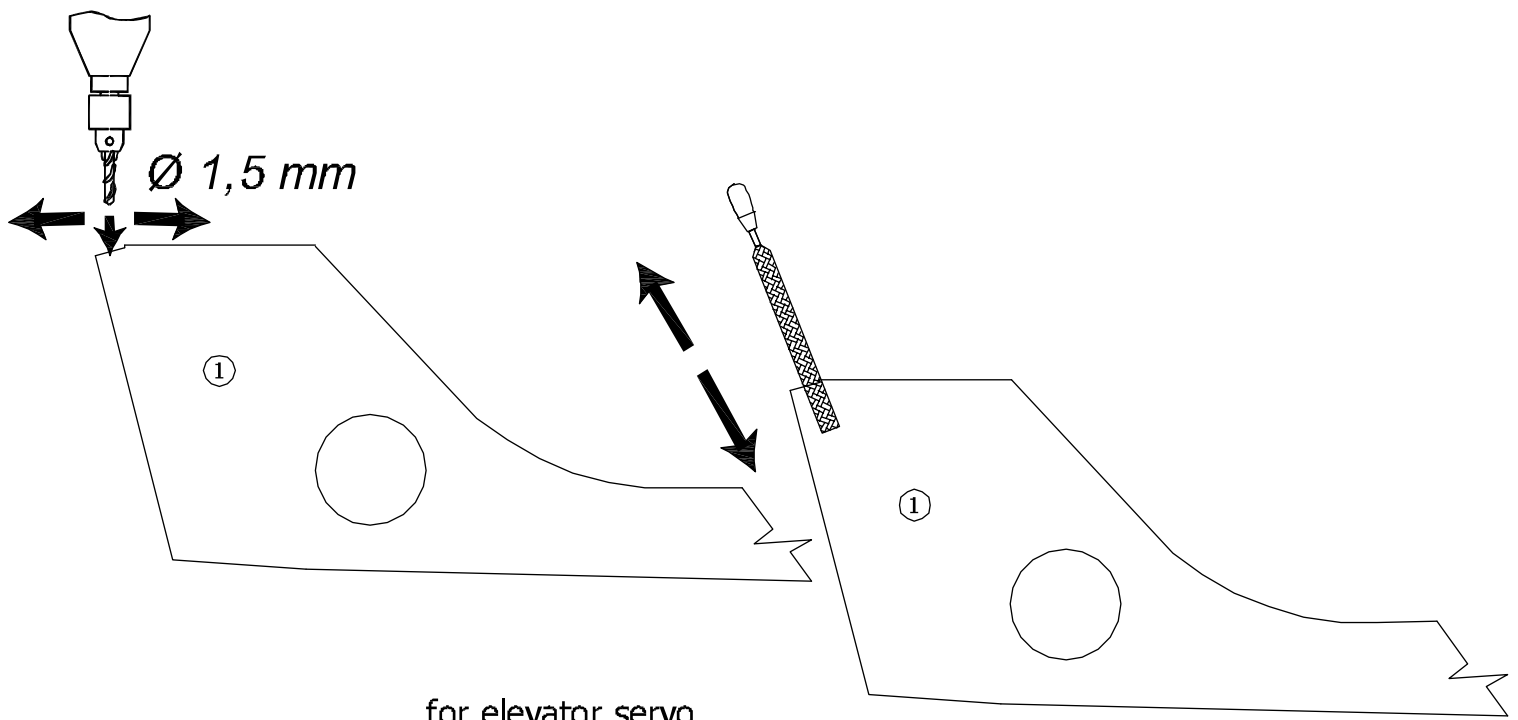
3
BOTTOM

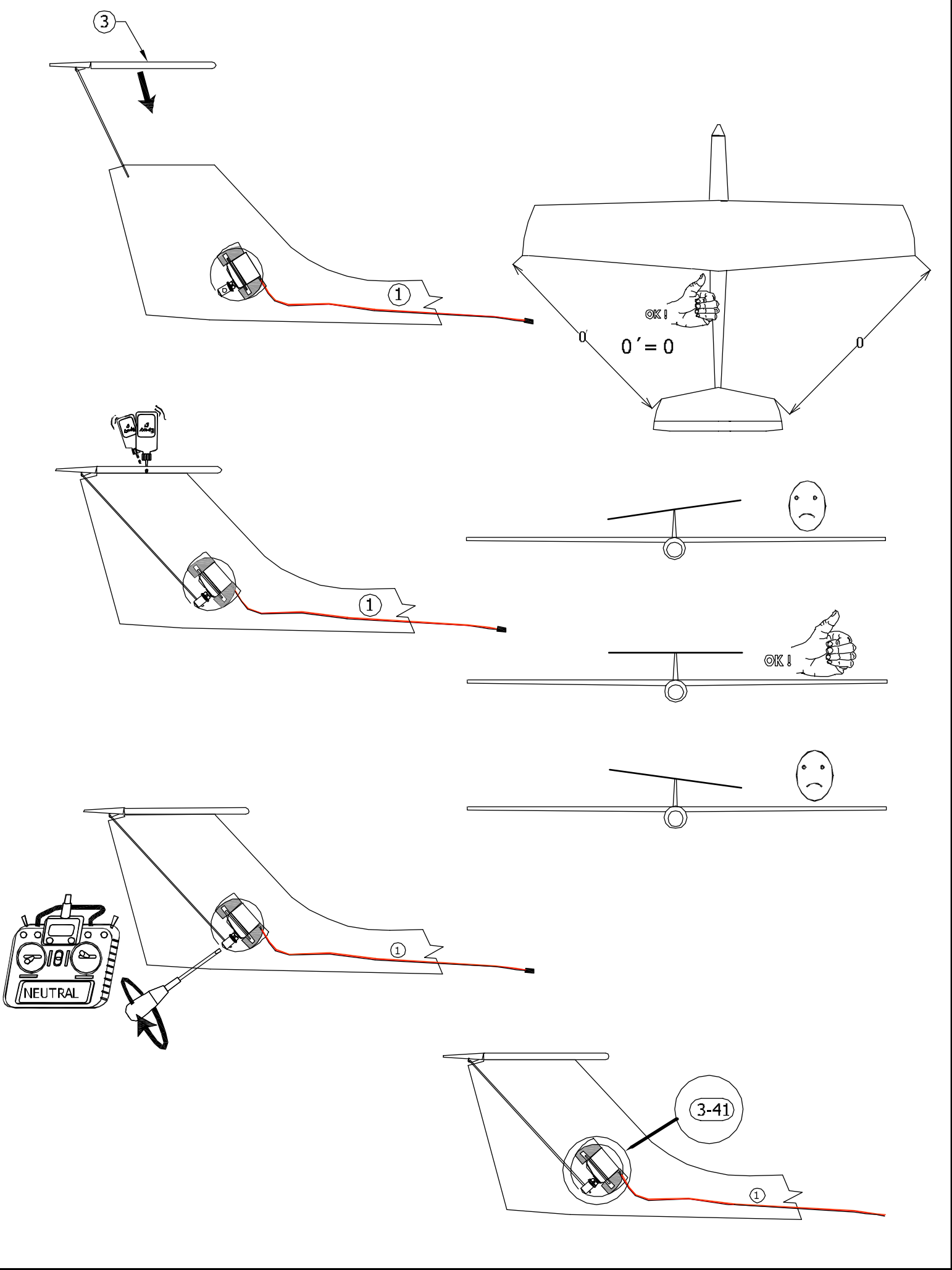


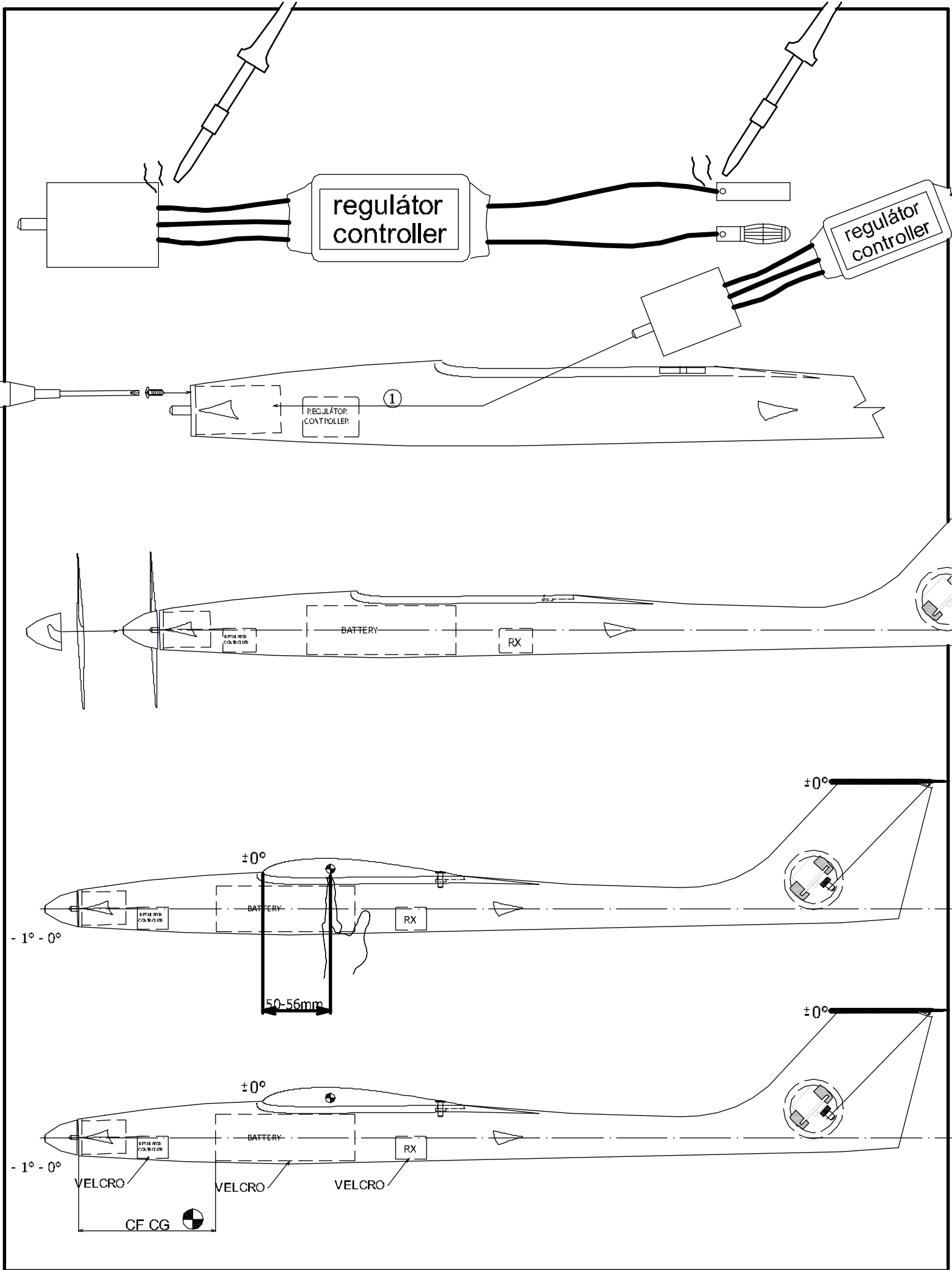
Oracover®
BOTTOM

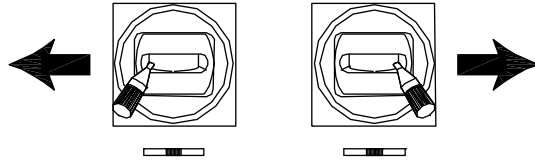
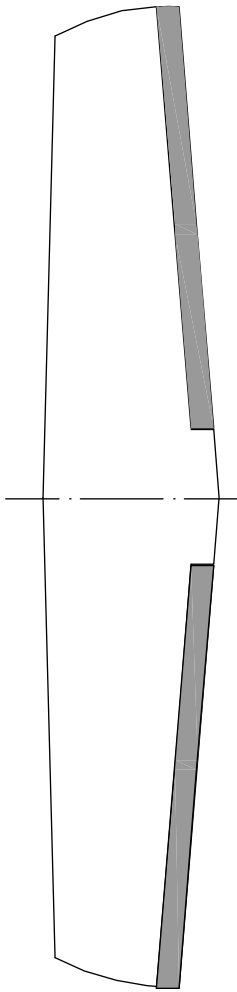


4

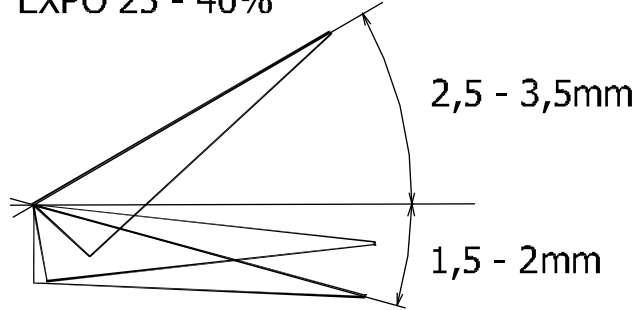






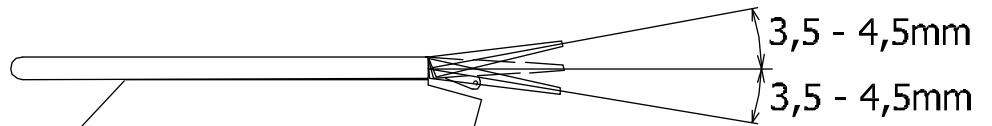


EXPO 25 - 40%



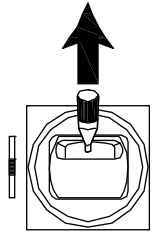
2,5 - 3,5mm

1,5 - 2mm



3,5 - 4,5mm

3,5 - 4,5mm



EXPO 25 - 40%

